

WeatherMaster® Tile

Stackable High-Temp Underlayment

PRODUCT INFORMATION

WeatherMaster® Tile is a self-adhering underlayment that consists of a proprietary modified asphalt and a woven polyester membrane. The tough, slip-resistant, poly-fabric surface provides a rugged barrier to physical damage, UV degradation, weather, and moisture. The unique adhesive layer offers the application benefits of cold-temperature adhesion and exceptional thermal stability under high heat. The woven polyester top surface aggressively bonds with foam adhesives used in tile installation and is proven to withstand stacked tiles without slippage or damage to the membrane surface.

WeatherMaster® Tile provides excellent traction for roofers during installation of the primary roofing system. No special adhesive, heat, or equipment is necessary when properly installed.

TECHNICAL DATA

Property	Test Method	Minimum Value
Mil Thickness	N/A	50 mil
Tensile Strength	ASTM D412	100 lbs/in (1428 psi)
Thermal Stability SAG-200°F (93°C)	ASTM D1970	Pass
Low Temperature Flexibility -25°F (-32°C)	ASTM D1970	Unaffected
Adhesion To Plywood	ASTM C903	Pass
Permeability	ASTM E96	0.01 perms (max)
Elongation (Rubberized Asphalt)	ASTM D412	250%

DIMENSIONS

Product	Roll (ft²)	Roll Size	Rolls Per Pallet
WeatherMaster® Tile	195	36" x 65'	25

FEATURES:

- SBS-modified asphalt coating helps seal around nails for a watertight result
- Self-adhesive backing seals directly to the deck
- No special adhesives necessary
- Woven polyester surface provides superior slip resistance
- Minimum 50-mil thickness
- Excellent adhesion surface for tile foams
- High temperature stability-260°F
- Can be used under metal
- UV protected surface-180-day exposure

BENEFITS:

- Passed Miami-Dade County TAS 103 test
- Aggressive bond to the roof deck and sealing around fastener penetrations helps protect against wind-driven rain
- Top selvage edge bond creates waterproof joint

CODES AND COMPLIANCES

- ASTM E108 Fire Rated (based on roof covering)
- ASTM D1970, Standard Ice Dam Underlayment
- Miami-Dade County TAS 103 Test



Signature Select® System Eligible



WEATHERMASTER® TILE

GENERAL INSTRUCTIONS

WeatherMaster® underlayments should be installed only when ambient and substrate temperatures are 45°F (7.2°C) or higher. Priming wood or metal surfaces may be necessary for temperatures at 45°F. Remove all dirt, dust, loose nails, and debris prior to installing WeatherMaster® underlayments. Decking must be dry.

When WeatherMaster® underlayments are to be adhered to any metal surfaces, priming with asphalt primer meeting ASTM D41 is recommended. When applying WeatherMaster® underlayments, proper, code-approved roof assembly ventilation is required.

For Roof Decks (Rakes and Eaves):

WeatherMaster® Tile shall be applied to dry surfaces during fair, dry weather when air temperatures are above 45°F. In temperatures below 45°F, deck surfaces will need to be primed prior to application. Before getting started, be sure the roof deck is free of dust, dirt, loose nails, and any other protrusions. Metal flanges must be coated with asphalt primer prior to installing WeatherMaster® Tile.

Begin by cutting WeatherMaster® Tile into 10- to 15-foot lengths and re-roll for wrinkle-free application. Apply sheet parallel to the roof edge, extending 1/4" to 3/4" over drip edge. Use the selvage edge to set horizontal top overlap at 3" so that laps will shed water. For ice dam protection, underlayment must be applied to a point at least 24" beyond interior wall line or above the expected level of ice dams.

Peel back 1 to 2 feet of release paper. Before peeling further, align the sheet on the lower edge of the roof and adhere the areas you have peeled. Pull the release paper from under the sheet and slowly continue to peel, pressing the sheet into place as you go. Use a hand roller to firmly roll lower edges. End laps should be overlapped 6" and staggered. On slopes 6:12 and greater it is necessary to spot nail the top edge of the membrane every 12" on center during the installation process.

WeatherMaster® Tile Note:

Some codes require an additional base sheet course under WeatherMaster® Tile. Check your local building codes and use a base sheet that meets ASTM D226, Type II, ASTM D4869 Type IV, or ASTM D2626 if one is required. Apply the base sheet parallel to and abutting the eave.

Apply the metal drip edge over the deck eave edge and nail 9" on center. End laps should be 6" and side laps a minimum of 3". Mechanically fasten the base sheet to deck with approved nails, staples, or cap nails 6" on center at the laps and two staggered rows 12" on center in the field of the roll. Cover entire roof with the base sheet. Coat the top of the drip edge with a 2" wide troweling of modified bitumen adhesive. If an additional course is not used under WeatherMaster® Tile, place the metal drip edge directly on the deck and seal the leading edge as described above.

For Valleys and Ridges:

Begin by cutting WeatherMaster® Tile into 4- to 6-foot lengths. Peel the release paper and center the sheet over the valley or ridge. Drape and press sheet into place, working from the center of a valley or ridge in each direction. For valleys, peel and apply the sheet starting at the lowest point and work upwards. All end laps should be overlapped a minimum of 6".

Safety, Storage, and Handling:

Store WeatherMaster® Tile underlayment in a dry, well-ventilated area. WeatherMaster® Tile underlayment should not be double-stacked. Stand WeatherMaster® Tile underlayment upright. Do not store at 90°F (32°C) or warmer for extended periods of time. Provide a weather cover on top and sides to allow proper ventilation. Consult the Material Safety Data Sheet for the best available information on safe handling.

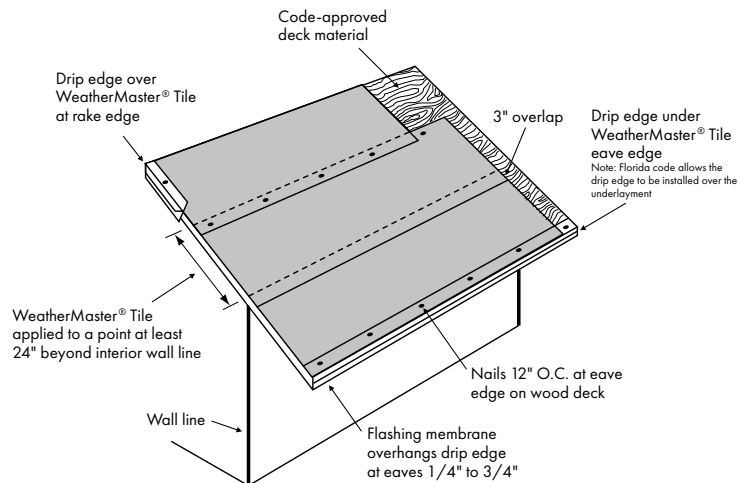
For Flashing Tape:

When used as flashing tape, begin by cutting WeatherMaster® underlayment into 8- to 12-foot lengths. Center the tape over roof deck panel joints and roll into position.

CAUTION

Learn and observe safe roofing practices according to OSHA and local building code requirements. Always use caution when walking on sloped roof decks and WeatherMaster® Tile underlayment. Do not walk on unsecured underlayment or any other loose roofing material lying on sloped roof decks. Dust, dew, water, or debris create unsafe conditions on the roof. The presence of any foreign matter may drastically change the coefficient of friction (traction) on WeatherMaster® Tile or any other material on a sloped roof deck. Failure to use proper safety equipment and footwear can result in serious injury or even death.

WEATHERMASTER® TILE FIELD APPLICATION



Sales Offices

Ardmore, OK

Tel: (800) 261-2852

Franklin, OH

Tel: (800) 260-2852

Meridian, MS

Tel: (800) 933-2721

Daingerfield, TX

Tel: (800) 270-2852

Hampton, GA

Tel: (800) 251-2852

Corporate Sales & Marketing

2000 RiverEdge Parkway, Suite 800
Atlanta, Georgia 30328



Atlas offers homeowners increased coverage of their Premium Protection Period on any Atlas Signature Select® Roofing System. This product qualifies for use in the Atlas Signature Select® Roofing System when used in combination with other qualifying Atlas products. For more information, please visit: AtlasRoofing.com/Signature-Select.

